



# UL Ti MATE 80

## 'submersible through hull light'

### 20 Watt LED

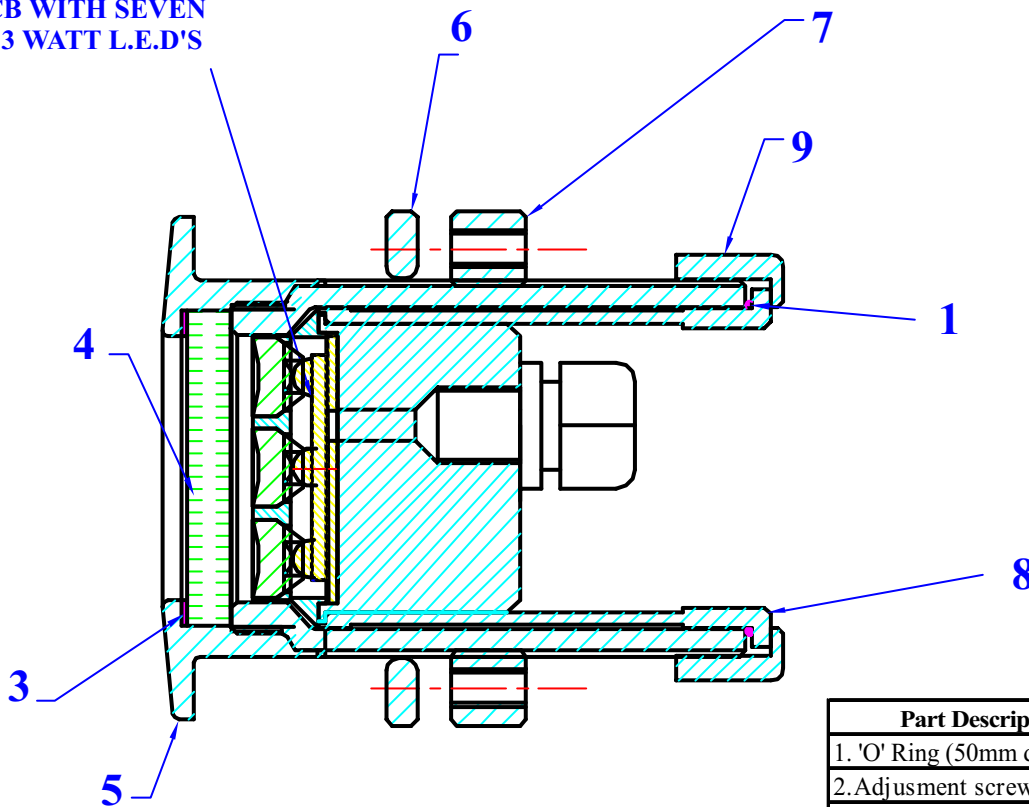


ORDERING NUMBERS : 12 VOLT-S02860-WHITE-V6 & 24 VOLT-S02860-WHITE-V5  
 12 VOLT-S02860-BLUE-V6 & 24 VOLT-S02860-BLUE-V5  
 12 VOLT-S02860-GREEN-V6 & 24 VOLT-S02860-GREEN-V5

TM

- **UL Ti MATE 80 Installation (Maximum hull thickness of 65mm) and Operation.**
- Qualified/Approved personnel must be used to carry out installation.
- Before cutting a hole in the hull, check the hull wall thickness is not greater than 65mm and that the location of the holes are below the waterline. After cutting and finishing the hole surface, check the 'body' (5) can be inserted into the 60mm diameter hole. You are now ready for installation.
- Note for cored hulls - After cutting, the exposed surfaces of the hole must be finished to form a solid surface through it. Thus protecting the internal core of the hull. The wall thickness of the hole should not to less than 5mm-0.25inch. Apply 3M-4200FC sealant to the 'body' (5) flange. Slide the body into the hole and from inside the hull put the 'compensating ring' (6) on and screw the 'securing ring' (7) up hand tight. Gently tighten the adjustment screws (2) so the compensating ring is flush to the hull and the sealant has flowed completely around the flange and hull. Do **NOT** overtighten the screws as this will squeeze the sealant from the surfaces. Allow the sealant to solidify and remove surplus. Finally tighten the bolts to 4Nm. / 3ft. lbs. Fit the lamp and assemble the remaining parts to the UL Ti MATE 80. Lightly grease the 'O' ring and gasket.
- After completing the installation procedure it is highly recommended to coat the face of the 'through-hull' submersible marine light with antifouling and bond them to the anodes or a cathodic protection system.

PCB WITH SEVEN  
3 WATT L.E.D'S



Part Description	Part No
1. 'O' Ring (50mm dia)	02008
2. Adjusment screws	93306
3. Gasket	02009
4. Glass lens	02010
5. Ultimate 80 Body	S02650-A
6. Compensating Ring	02602-A
7. Securing Ring	02603
8. LED Tube	S02605-LED
9. Lamp holder securing ring	02608-B

- **Power Supply**
- 20 Watt 12 Volt LED unit requires 1.60 AMPS
- 20 Watt 24 Volt LED unit requires 0.80 AMPS



PLEASE REGISTER YOUR PRODUCT WARRANTY DIRECT TO [WWW.REGISTER-UWL.COM](http://WWW.REGISTER-UWL.COM)  
 FOR TECHNICAL INFORMATION PLEASE EMAIL [T@UNDERWATERLIGHTS.COM](mailto:T@UNDERWATERLIGHTS.COM)  
 SALES, PRODUCT INFORMATION AND NEWS GO TO [WWW.UNDERWATERLIGHTS.COM](http://WWW.UNDERWATERLIGHTS.COM)

