

UL Ti MATE RANGE - MODEL NUMBER - S02860 -

underwater lights limited™

Manufacturers of the Original underwater lights™
Brand Marine Lighting Products since 1991

DESCRIPTION

The UL Ti MATE 80, 20W LED is a "through-hull" submersible marine light rated IP68 to 10 bar.

The light is suitable for small boats and can be installed into GRP-fiberglass and wooden hulls.

It must be installed below the minimum waterline.

The boat must be hauled out for installation, although maintenance of the LED is carried out from inside the hull.

The LEDs are available in blue, red, green or white.

The LED driver is fitted in an IP66 enclosure and is mounted remotely.



TECHNICAL SPECIFICATION

Lamp Type - 7 x single 110 lumen LED-

Lamp Life - 30,000 Hours - Colour Temp - 7000K

Voltage/Amps - 12vdc/1.6 A - 24vdc/0.8 A

Glass Lens - Borosilicate glass

Classification - Lloyds Approved

Material - Aluminium Bronze and 5083 ALU

Light Output - 770 Lumens

NOTE-

Installation Instruction

The hole cut-out should be 61 mm.

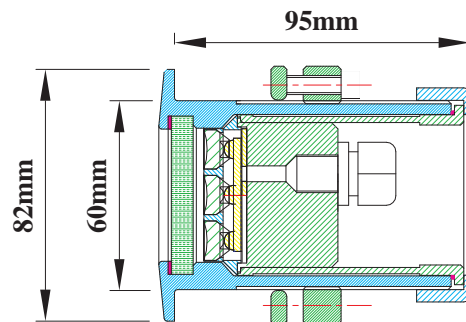
Hull thickness range 12-65mm

Recommended distance between lights 1 to 2meters.

Electrical Information

See diagram opposite. Note do not connect the power cables to the dim terminals. Remove bridge wire when dimming is required.

For additional information please visit our web site.



UL Ti MATE 80 - LED - W7 (20 WATT)
ORDER NUMBER-S02860-V5(24V)orV6(12V)

