

UL Ti MATE RANGE - MODEL NUMBER - S02655-

underwater lights limited™

Manufacturers of the Original underwater lights™
Brand Marine Lighting Products since 1991

DESCRIPTION

This "through-hull" submersible marine light IPX8 rated to 10 bar, is suitable for smaller boats.

The light is used into GRP-fibreglass and wooden hulls and must be installed below the minimum waterline.

The boat must be hauled out for installation, although maintenance is carried out from inside the hull.

This UL Ti MATE 80 uses a 100w halogen lamp and runs on 12 or 24 VDC.

UL Ti MATE 80 HALOGEN
750 LUMEN



TECHNICAL SPECIFICATION

Lamp Type - 100W Halogen

Lamp Life - 2000 Hours - Colour Temp - 3000 K

Voltage/Amps - 12VDC/8.3A - 24VDC/4.2A

Glass Lens - Borosilicate glass

Classification - Lloyd's Approved

Material - Aluminium Bronze and 5083 ALU

Light Level - 750 Lumens

NOTE

Installation Instruction

The hole cut-out should be 61 mm.

Hull thickness range 12-65mm

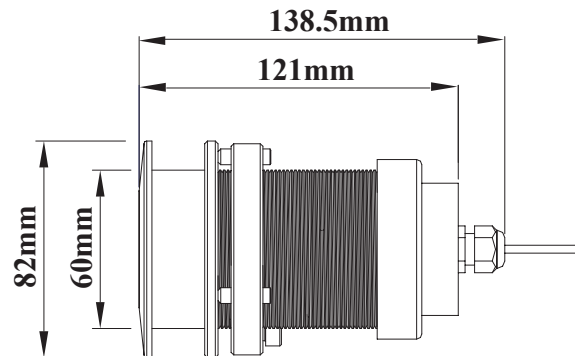
Recommended distance between lights 1 to 2 meters

Electrical Information

Recommend only 2 lights for each power supply cable.

See wiring diagram on opposite page.

For additional information please visit our web site.



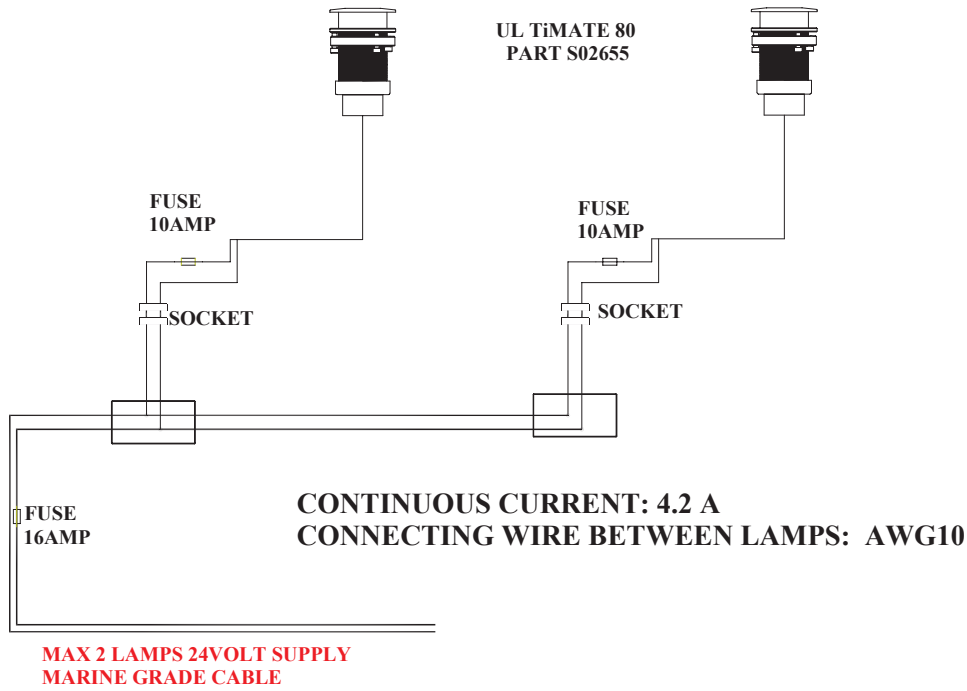
UL Ti MATE 80- (100 WATT)
ORDER NUMBER-S02655-V5(24V)orV6(12V)

UL Ti MATE RANGE - MODEL NUMBER - S02655-V5/V6

underwater lights limited™

Manufacturers of the Original underwater lights™
Brand Marine Lighting Products since 1991

WIRING DIAGRAM 24V/V5



WIRING DIAGRAM 12V/V6

