

UL Ti MATE RANGE - MODEL NUMBER - S02652

underwater lights limited™

Manufacturers of the Original **underwater lights™**
Brand Marine Lighting Products since 1991

DESCRIPTION

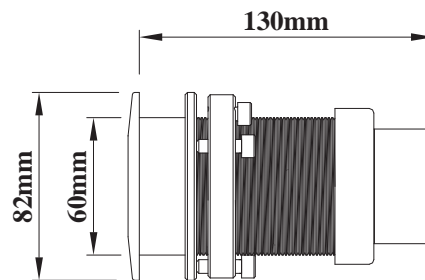
This is our most popular “through-hull” submersible marine light IPX8 rated to 10 bar for coastal power boats and some ten thousand have been installed world wide.

The light is suitable for installation into GRP-fibreglass and wooden hulls and must be installed below the minimum waterline.

The boat must be hauled out for installation, although maintenance is carried out from inside the hull.

The light has a sealed integral igniter which makes it safer, and allows the ballast to be located away from the bilge area.

The latest **UL Ti MATE 80** can also be fitted with a wide beam lens.



UL Ti MATE 80-W5 (55 WATT)
ORDER NUMBER-S02652-V5(24V)orV6(12V)

55W BALLAST
ORDER NUMBER-S95305-V5(24v) or S95304-V6(12V)



TECHNICAL SPECIFICATION

Lamp Type - Xenon bulb

Lamp Life - 3000 Hours - Colour Temp - 7000 K

Voltage/Amps - 12VDC/6.4A - 24VDC/2.5A

Glass Lens - Borosilicate glass

Classification - Lloyds Approved

Material - Aluminium Bronze and 5083 ALU

Light Level - 4.800 Lumens

NOTE

Installation Instruction

The hole cut-out should be 61 mm.

Hull thickness range 12-65mm

Recommended distance between lights 1 to 2 meters

Electrical Information

Recommend only 2 lights for each power supply cable.

See wiring diagram on opposite page.

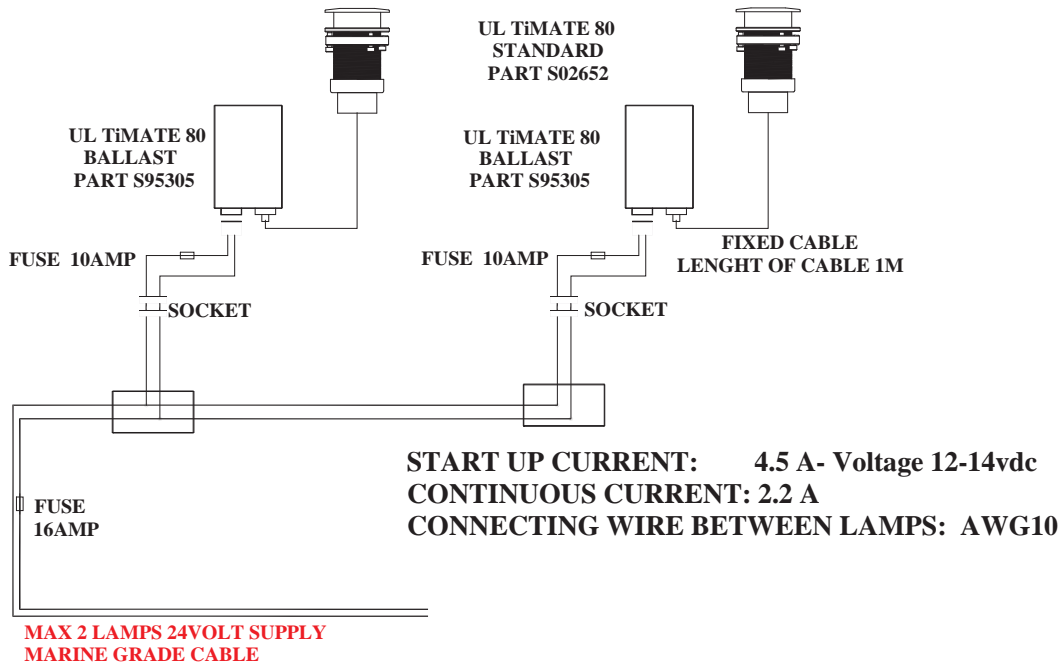
For additional information please visit our web site.

UL Ti MATE RANGE - MODEL NUMBER - S02652-V5/V6

underwater lights limited™

Manufacturers of the Original underwater lights™
Brand Marine Lighting Products since 1991

WIRING DIAGRAM 24V/V5



WIRING DIAGRAM 12V/V6

