

DECK LIGHT - MODEL NUMBER - S40520- Dock Light

underwater lights limited™

Manufacturers of the Original underwater lights™
Brand Marine Lighting Products since 1991

DESCRIPTION

This is an **Exterior Dock Light** that is adjustable and manufactured from marine grade aluminium or aluminium bronze. The light is suitable for use underwater and in atmospheric conditions.

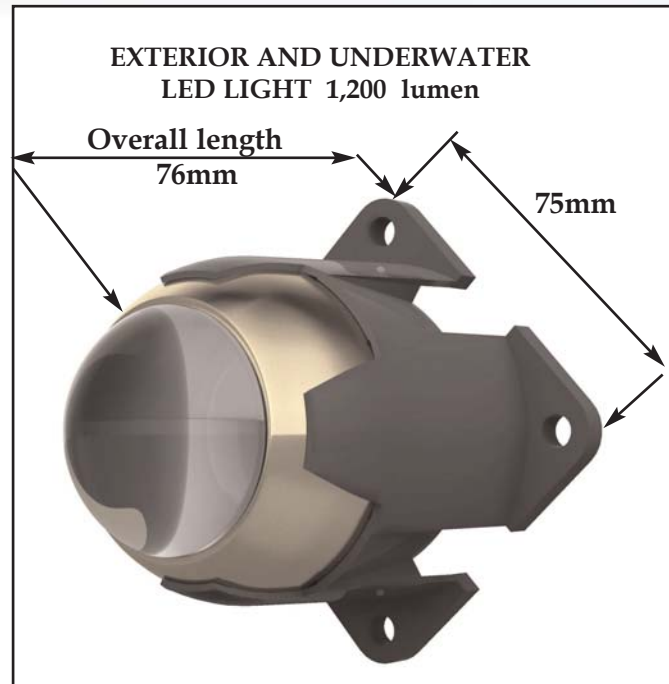
If this light is to be used underwater or in air, see driver specification for the required application.

The **Dock Light** has a choice of LED rated at 1,200 and 3,500 Lumen

The LED is available in cool white, warm white, blue, green and red.

The light is delivered with 1m cable. Longer lengths of cable can be specified

Our own dimmer control can also be used to dim UP/DOWN or switch ON/OFF the LED.



TECHNICAL SPECIFICATION

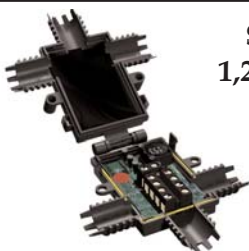
Lamp Type - 1,200 and 3,500 Lumen LED

IP Rating - IP 68 to 6 bar

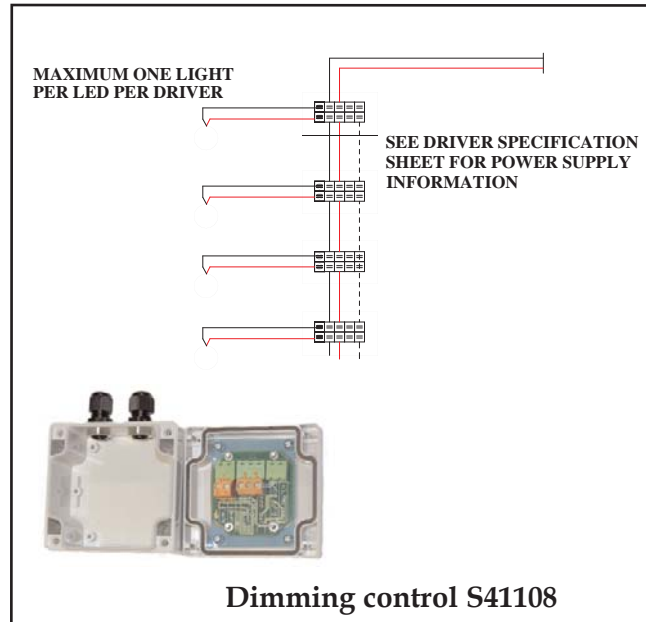
Glass Lens Finish - clear

The securing bracket - reinforced plastic

DRIVERS- See driver specification sheets



Sample picture for MAX 1,200 lm vdc installation and dimming control



NOTE-

Installation:

The bracket is secured by four screws.

See driver specification for further wiring instructions.

Part No.-S40520.

Drivers.

Supply voltage 12-24vdc. S41104 (350mA), S41105 (700mA), S41109 (1000mA)

For additional information please visit our web site