

# DECK LIGHT - MODEL NUMBER - S40252-SS

underwater lights limited™

Manufacturers of the Original underwater lights™  
Brand Marine Lighting Products since 1991

## DESCRIPTION

The **Fixed Single 1w LED** is fitted with a screwed fitted bezel and is delivered with 1 meter cable.

The LED can be used as an interior or exterior light. The diameter for the bezel is 60 mm.

It has a light output of around 90 lumens.

It uses a medium fixed lens and cannot be adjusted.

The LED is available in cool white, warm white, blue, green and red.

The light requires 1 driver to power 7 small LEDs.



## TECHNICAL SPECIFICATION

Lamp Type - 90 Lumens single LED

Voltage - 12/24V DC (driver required)

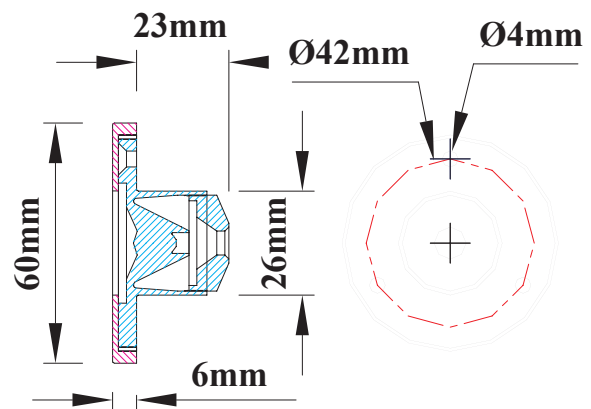
IP Rating - front bezel is IP 68- Back IP 44

Lens Finish - clear

Bezel Finish - Polished 316 stainless steel

Insert - N.A

LED Driver - S41104



### NOTE-

#### Installation:

The hole cut-out should be 26 mm.

Please see specification sheet for wiring the LEDs.

#### Part nos-

S40252-SS.

Driver.

S41104- One driver can drive a maximum of 7 x 1 watt LEDs in series

( See Spec sheets for driver)

For additional information please visit our web site