

DECK LIGHT - MODEL NUMBER - S34440- Flood 15mm

underwater lights limited™

Manufacturers of the Original **underwater lights™**
Brand Marine Lighting Products since 1991

DESCRIPTION

This **adjustable light for Low/High level** fitting with a 15mm glass can be surface mounted or flush mounted and needs to be used with an aluminium or stainless steel insert.

It is suitable for all exposed areas.

The light uses the best quality material and the bolted bezel is manufactured from 316 stainless steel.

It has been tested for water tightness to IP56.

The 15mm glass can either be ordered with a clear or frosted finish depending on how much light is required.

MR16 FLOOD LIGHT
WITH 15MM GLASS



TECHNICAL SPECIFICATION

Lamp type - MR 16 halogen

Voltage - 12v or 24vdc- Max 50w

IP Rating - IP 56

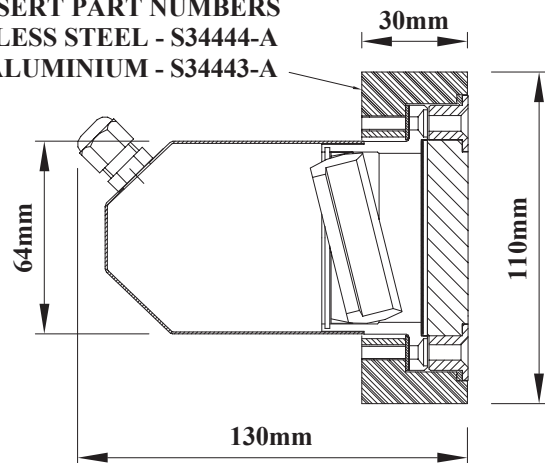
Glass lens finish - clear or frosted (15mm)

Bezel Finish - bolted 316 stainless steel

Insert - Alu. (S34443) or S. Steel (S34444)

Transformer - Integral for 120/ 230v

INSERT PART NUMBERS
STAINLESS STEEL - S34444-A
5083 ALUMINIUM - S34443-A



NOTE-

Installation Instruction-

The hole cut-out should be 110mm using an aluminium or steel insert. Please see drawing above with relevant part numbers for the insert.

Part no-

S34440 . Please don't forget to specify the power supply .

For additional information please visit our web site.