

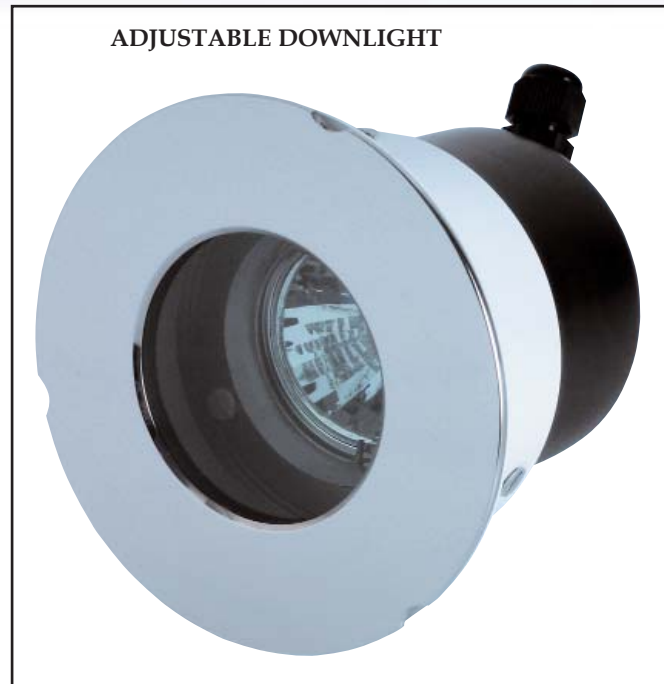
DECK LIGHT - MODEL NUMBER - S21600- Downlight

underwater lights limited™

Manufacturers of the Original underwater lights™
Brand Marine Lighting Products since 1991

DESCRIPTION

The exterior adjustable downlight with screwed bezel is designed for exterior use such as overheads or deckheads. The maximum recommended lamp wattage for this light is 50w. A design consideration for this adjustable downlight was given to the contact temperature between the ventilation body and the deckhead. There is a small air gap which separates the main body and screwed bezel from the ventilation body. This reduces the deckhead contact temperature to about 60 degrees Celsius, which is generally lower than the maximum allowed paint temperature and prevents cracking and discolouring of the paint and wood.



TECHNICAL SPECIFICATION

Lamp Type - M16 halogen max 50w

Voltage - Power - 12v or 24v

IP Rating - IP 56

Glass Lens Finish - clear or frosted lens

Bezel Finish - stainless steel

Insert - N.A.

Transformer - Required for 120v & 230vac

NOTE-

Installation Instruction:

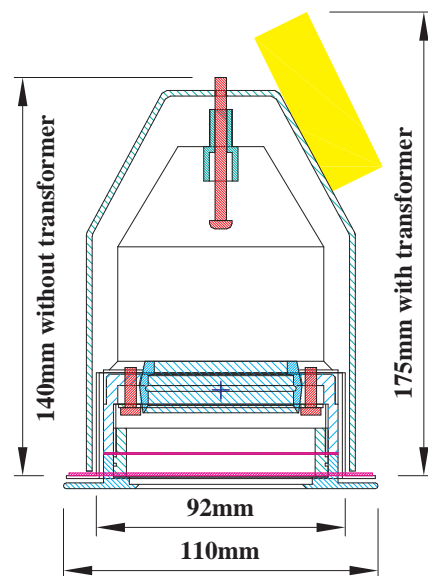
The hole cut-out should be 92 mm.

The lamp is eased into the deckhead cut-out and the clamping screw which is attached to the clamping bracket is pushed up until the bracket springs apart and rests on the top of the deckhead.

Tightening the screw secures the downlight.

Part no-

S21600- Please specify power supply.



For additional information please visit our web site.