

DECK LIGHT - MODEL NUMBER - PAR 30 FLOOD- 4mm

underwater lights limited™

Manufacturers of the Original **underwater lights™**
Brand Marine Lighting Products since 1991

DESCRIPTION

The **PAR 30 Adjustable flood light** with bolted bezel is used for exterior flood lighting onto areas such as decks or masts. The fitting accommodates a 4mm thick borosilicate glass for installation into areas not so exposed and can be surface or flush mounted. The flush is recommended and requires an insert which is welded into the superstructure. The inserts are manufactured in Aluminium 5083 (part number S23061-A) or in 316 Stainless Steel (Part number S23062-A). The PAR 30 is available with a 150w metal halide bulb- max 150w - or with a halogen bulb -max 75w. The electronic ballast for the metal halide fitting is remote from the lamp. The maximum distance from the ballast to the lamp is 10 meters. The light has been tested for water tightness (front only) to IP 55.

TECHNICAL SPECIFICATION

Lamp type - 150w Metal Halide. 75w Halogen

Voltage -12v or 24v - 120v 230v transformer

IP Rating - IP 55

Glass lens finish - Clear or Frosted (4mm)

Bezel Finish - Bolted 316 Stainless Steel

Insert - 4/15mm bezel Alu. or S.Steel

Ballast -S00800-A-V1 - Transformer - 120/230V

NOTE-

-Installation Instruction-

The hole cut-out is 122 mm for surface mounting and 178mm with insert.
The light is supplied with one meter of 3 core cable. Longer cable can be fitted on request.

Part no-

S23011- (150w Metal Halide) with 150w Ballast (S00800-A-V1) and 4mm S.S. bolted bezel.

S23013 -V5/V6 for Halogen 75w max 12v/24v- and 4mm S.S bolted bezel.

S23013-V2 Halogen with 12v/230v transformer- 4mm S.S. bolted bezel.

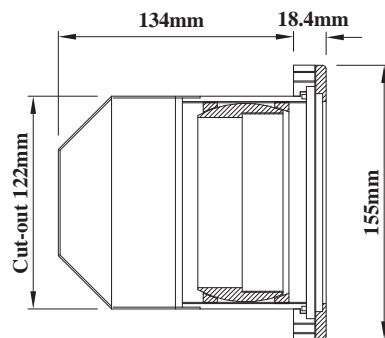
S23013-V3 Halogen with 12v/120v transformer- 4mm S.S. bolted bezel.

For additional information please visit our web site.



PAR 30 WITH BOLTED BEZEL
WITH 4MM GLASS

Dimension for halogen fitting



Dimension for HID fitting

